

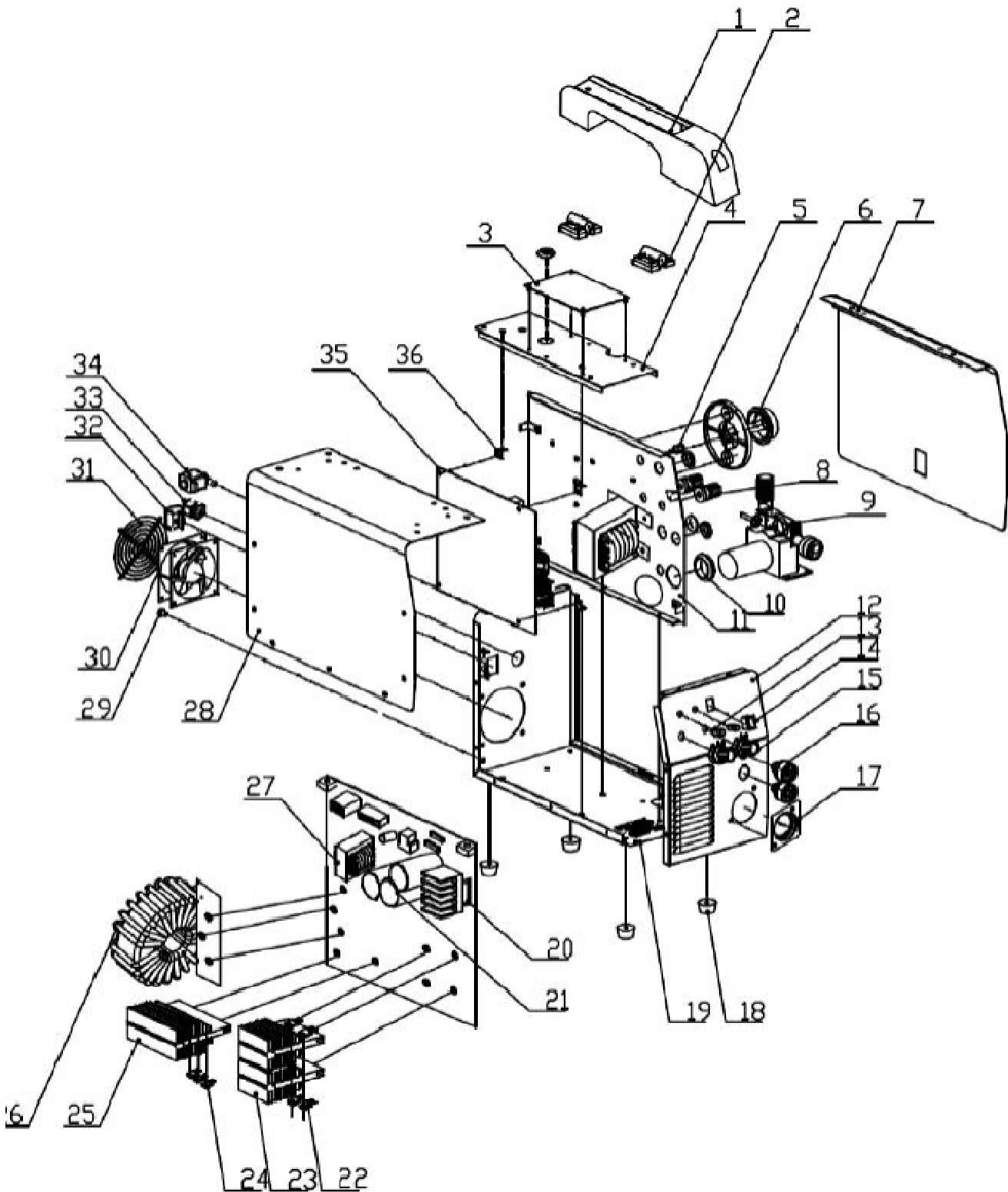
REPUESTOS. SMART 200 MP
PARTS LIST. SMART 200 MP
LISTE DES PIÈCES. SMART 200 MP

REF: 22300200MP

01-06-21

HR22300200MPV01/1

230V-50/60Hz



REPUESTOS. SMART 200 MP	REF: 22300200MP	01-06-21	HR22300200MPV01/1
PARTS LIST. SMART 200 MP			
LISTE DES PIÈCES. SMART 200 MP			

230V-50/60Hz

N	REF.	DESCRIPCION (ES)	DESCRIPCION (EN)	DESCRIPCION (FR)
1	12140300403	ASA DE PLASTICO	HANDLE	HANDLE
2	12140302001	BISAGRA	PLASTIC CONNECTOR	PLASTIC CONNECTOR
3	12140200703	PLACA DE CONTROL	CONTROL BOARD	CONTROL BOARD
4	12140400601	PANEL BASE PLACA CONTROL	CONTROL BOARD DESK	CONTROL BOARD DESK
5	12140301901	PULSADOR SANGRADO	WIRE CONTROL BUTTON	WIRE CONTROL BUTTON
6	12140301703	EJE SOPORTE CARRETE	WIRE AXIS PLATE	WIRE AXIS PLATE
7	12140400106	LATERAL MOVIL	METAL COVER II	METAL COVER II
8	12140301601	AISLADOR POLARIDAD	INSULATION COVER	INSULATION COVER
9	12140301201	SISTEMA DE ARRASTRE	WIRE FEEDER	WIRE FEEDER
9.1	12140301211	RULETA "v" 0.8 -1.0	"V" 0.8 -1.0 MM	"V" 0.8 -1.0 MM
9.2	12140301221	RULETA ESTRIADA 0.8-1.0	"K" 0.8-1.0 MM	"K" 0.8-1.0 MM
9.3	12140301231	RULETA AL "U" 1.0- 1.2	"U" 1.0-1.2 MM	"U" 1.0-1.2 MM
10	12140301702	PASAMUROS	ROBBER CIRCLE	ROBBER CIRCLE
11	12140400502	PANEL CENTRAL	MIDDLE METAL BOARD	MIDDLE METAL BOARD
12	12140400402	PANEL FRONTAL	FRONT PANEL	FRONT PANEL
13	12140301004	INDICADOR LED	INDICATING LED	INDICATING LED
14	12140301902	CONMUTADOR	EXCHANGING BUTTON	EXCHANGING BUTTON
15	12140300103	POTENCIOMETRO	POTENTIOMETER	POTENTIALMETER
16	12140300901	CONECTOR SOLDADURA	FAST CONNECTOR	FAST CONNECTOR
17	12140301704	PROTECTOR EURO	FLANGE PLATE	FLANGE PLATE
18	12140301701	PATA DE GOMA	ROBBER FEET	ROBBER FEET
19	12140400204	CHASIS	METAL BOTTOM BOARD	METAL BOTTOM BOARD
20	12140300803	PUENTE RECTIFICADOR	RECTIFIER BRIDGE	RECTIFIER BRIDGE
21	12140100403	CONDENSADOR BUS	CAPACITOR	CAPACITOR
22	12140100502	TRANSISTOR DE POTENCIA	TRANSISTOR	TRANSISTOR
23	12140300305	RADIA DOR	RADIATOR	RADIATOR
24	12140100504	DIODOS RAPIDOS	FAST RECOVERY DIODE	FAST RECOVERY DIODE
25	12140300304	RADIATOR SECUNDARIO	RADIATOR 2	RADIATOR 2
26	12140100110	TRANSFORMADOR DE POTENCIA	MAIN TRANSFORMER	MAIN TRANSFORMER
27	12140100111	TRANSFORMADOR FUENTE	POWER SUPPLY TRANSFORMER	POWER SUPPLY TRANSFORMER
28	12140400105	LATERAL FIJO	METAL COVER I	METAL COVER I
29	12140302005	TORNILLO DE TIERRA	GROUND SCREW	GROUND SCREW
30	12140301303	VENTILADOR	FAN	FAN
31	12140301305	REJILLA VENTILADOR	FAN COVER	FAN COVER
32	12140300501	INTERRUPTOR ON/OFF	POWER SWTICH	POWER SWTICH
33	12140301101	PRENSAESTOPAS	POWER CABLE FASTENER	POWER CABLE FASTENER
34	12140301501	ELECTROVALVULA	SOLENOID VALVE	SOLENOID VALVE
35	12140200202	PLACA DE POTENCIA	MAIN PCB	MAIN PCB
36	12140302006	SEPARADOR	MAIN PCB FASTENING FEET	MAIN PCB FASTENING FEET
37	12140200805	PLACA DE POTENCIA COMPLETA	MAIN PCB WITH COMPONENTS	MAIN PCB WITH COMPONENTS