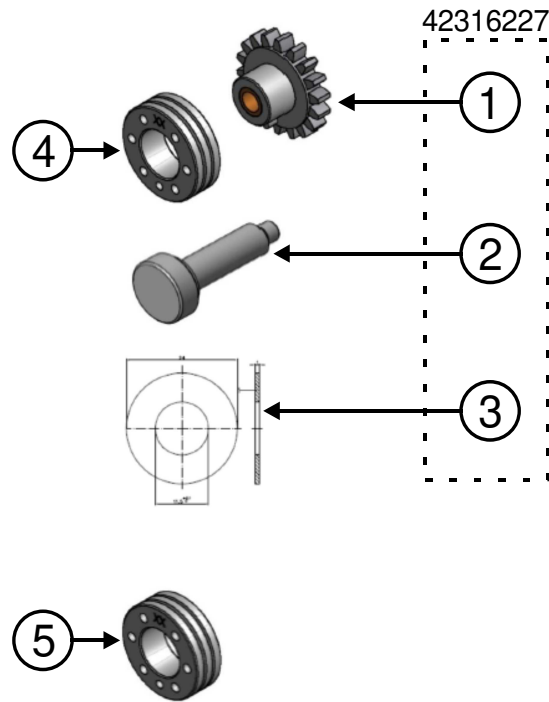


REPUESTOS. KIT SISTEMA TWIN D.37MM SF 34037	REF: 42316227	20-7-21	HR:42316227V2 1/1
PARTS LIST. KIT SYSTEM TWIN D.37MM SF 34037			
LISTE DES PIÈCES. KIT SYSTÈME TWIN D.37MM SF 34037			

KIT PARA ARRASTRE 42316020 4R-D37



- KIT SISTEMA TWIN D.37MM SF 34037

Nº	REF.	DESCRIPCION	DESCRIPTION	DESCRIPTION	V
1	42316828	SOPORTE RUEDA PALANCA APRIETE	PRESSURE ROLL GREARED GROOVED	ROULEAU DE PRESSION	
2	42316824	EJE RODILLO PRESION	PRESSURE ROLL AXLE	ESSIEU ROULEAU DE PRESSION	
3	42316827	ARANDELA	WASHER	RONDELLE	

- OPCIONES RULETAS PARA AÑADIR AL KIT

1- OPCIÓN PARA HILO DE ACERO

Nº	REF.	DESCRIPCION	DESCRIPTION	DESCRIPTION	V
4	42316825	RULETA PRESION PLANA D.37MM	FLAT PRESSURE ROULETTE D.37MM	ROULETTE À PRESSION PLATE D.37MM	
5	42316122*	RULETA D.37B/1.0-1.2MM (V)	ROULETTE D.37B/1.0-1.2MM(V)	ROULETTE D.37B/1.0-1.2MM(V)	

*Ruleta proporcionada de serie con arrastre 42316020

2- OPCIÓN PARA HILO DE ALUMINIO DE 1.0 A 1.2 mm DE Ø

Nº	REF.	DESCRIPCION	DESCRIPTION	DESCRIPTION	V
4	42316129	RULETA D37B/1.0-1.2 MM "ALU TWIN"	FEED ROLL STD WITH GEAR 1.0-1.2	ROULEAU D'ALIMENTATION 1.0-1.2	
5	42316129	RULETA D37B/1.0-1.2 MM "ALU TWIN"	FEED ROLL STD WITH GEAR 1.0-1.2	ROULEAU D'ALIMENTATION 1.0-1.2	

3- OPCIÓN PARA HILO DE ALUMINIO DE 1.2 A 1.6 mm DE Ø

Nº	REF.	DESCRIPCION	DESCRIPTION	DESCRIPTION	V
4	42316130	RULETA D37B/1.2-1.6 MM "ALU TWIN"	FEED ROLL STD WITH GEAR 1.2-1.6	ROULEAU D'ALIMENTATION 1.2-1.6	
5	42316130	RULETA D37B/1.2-1.6 MM "ALU TWIN"	FEED ROLL STD WITH GEAR 1.2-1.6	ROULEAU D'ALIMENTATION 1.2-1.6	

4- OPCIÓN PARA HILO TUBULAR DE 0.9 A 1.2 mm DE Ø

Nº	REF.	DESCRIPCION	DESCRIPTION	DESCRIPTION	V
4	42316125	RULETA D.37B/0.9-1.2MM (TUBULAR)	FEED ROLL D.37B/0.9-1.2MM (TUBULAR)	ROULETTE D.37B/0.9-1.2MM (TUBULAIRE)	
5	42316125	RULETA D.37B/0.9-1.2MM (TUBULAR)	FEED ROLL D.37B/0.9-1.2MM (TUBULAR)	ROULETTE D.37B/0.9-1.2MM (TUBULAIRE)	

5- OPCIÓN PARA HILO TUBULAR DE 1.2 A 1.6 mm DE Ø

Nº	REF.	DESCRIPCION	DESCRIPTION	DESCRIPTION	V
4	42316126	RULETA D.37B/1.2-1.6MM (TUBULAR)	FEED ROLL D.37B/1.2-1.6MM (TUBULAR)	ROULETTE D.37B/1.21.6MM (TUBULAIRE)	
5	42316126	RULETA D.37B/1.2-1.6MM (TUBULAR)	FEED ROLL D.37B/1.2-1.6MM (TUBULAR)	ROULETTE D.37B/1.21.6MM (TUBULAIRE)	