

REPUESTOS. GALA 1600 SYNER/ GALA 2000 SYNER/ GALA 2000 SYNER 110-220V

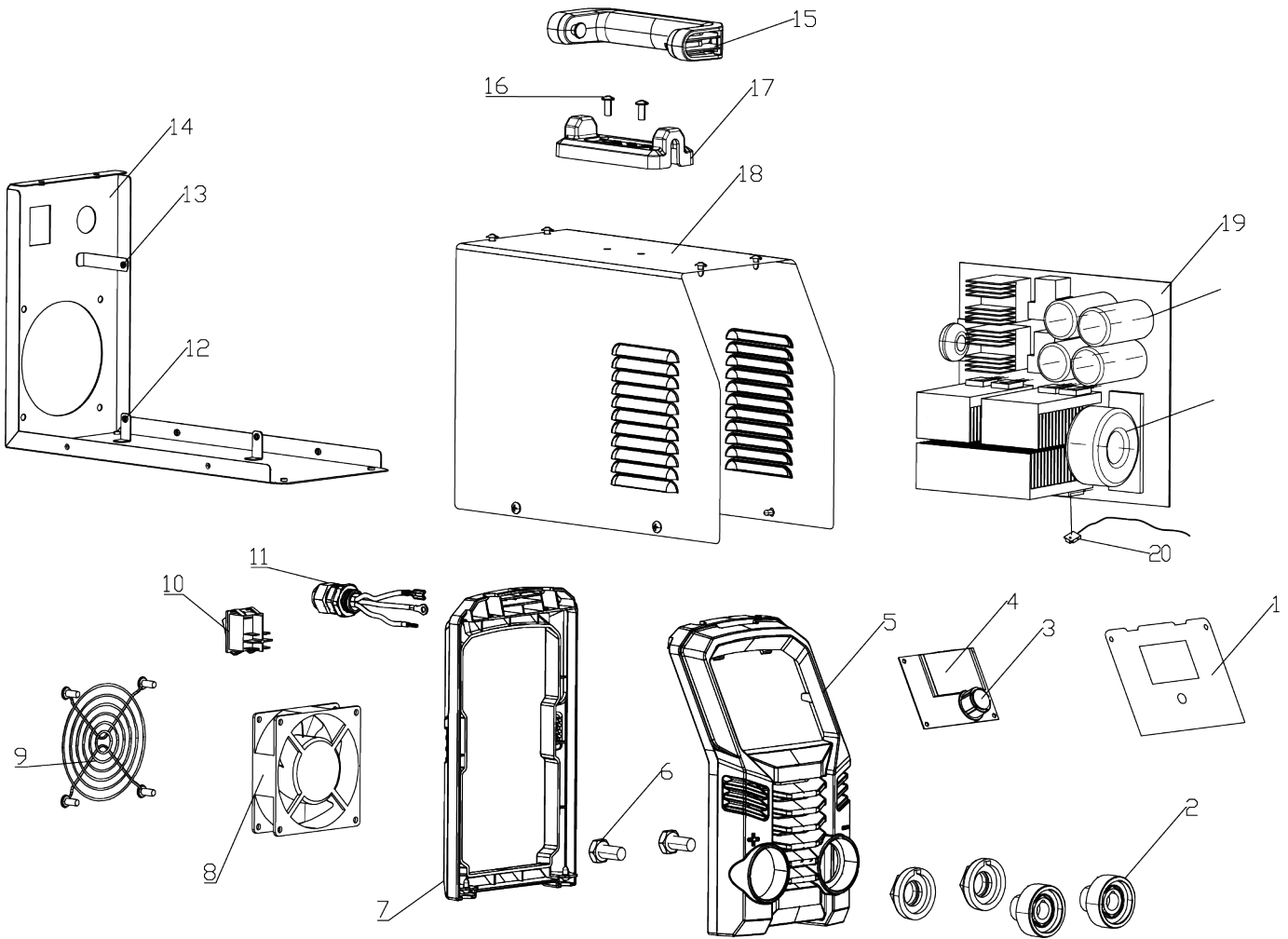
PARTS LIST. GALA 1600 SYNER/ GALA 2000 SYNER/ GALA 2000 SYNER 110-220V

REF:
223.00.160GS
223.00.200GS
223.00.200GS110

03-01-25

HR: 223.00.160GS V0
HR: 223.00.200GS V0
HR: 223.00.200GS110 V0

1/1



Nº	Ref			DESCRIPCIÓN	DESCRIPTION
	Mod 1600	Mod 2000	Mod 2000 110/220 V		
1	22300160GS01	22300200GS01		Panel frontal	Front panel
2	50712019			CONECTOR HEMBRA 35-50(DIAM.38)	35-50 FEMALE CONNECTOR (DIAM. 38)
3	22300160GS03			Mando plástico	Plastic knob
4	22300160GS04	22300200GS04	22300200GS11004	Placa frente display	Front display board
5	22300160GS05			Panel frontal de plástico	Front plastic panel
6	22300160GS06			Tornillo	Screw
7	22300160GS07			Panel de plástico trasero	Back plastic panel
8	2229K001			VENTILADOR KENNEDY 24DC 92X92X25	FAN KENNEDY 24DC 92X92X25
9	22300160GS09			Rejilla del ventilador	Fan grid
10	540003			INTERRUPTOR BIPOLAR PANEL//ATLANTIC	PANEL BIPOLAR SWITCH//ATLANTIC
11	22300160GS11			Prensaestopas	Cable gland
12	22300160GS12			Soporte angular A	Angle Support A
13	22300160GS13			Soporte angular B	Angle Support B
14	22300160GS14			Base de la máquina	Machine base
15	22300160GS15			Asa	Handle
16	22300160GS16			Tornillo asa	Handle Screw
17	22300160GS17			Base del asa	Handle base
18	22300160GS18			Carcasa de la máquina	Machine Shell
19	22300160GS19	22300200GS19	22300200GS11019	Cjto. placa PCB principal	Assembly main PCB board
20	22300160GS20	22300200GS20		Térmico	Thermal switch